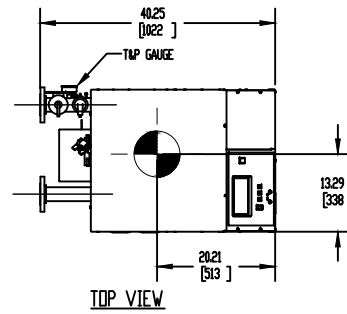
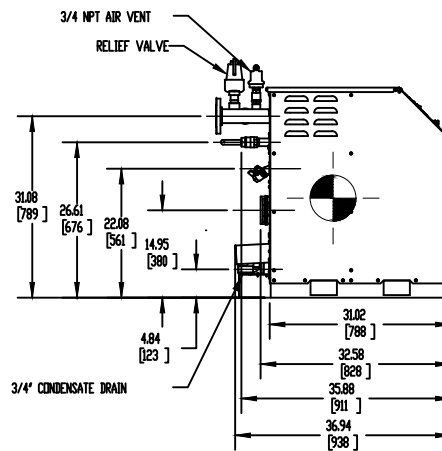


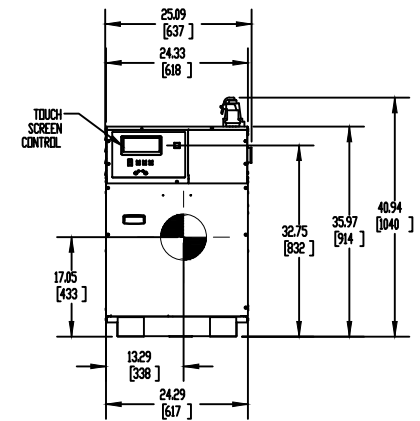
REAR VIEW



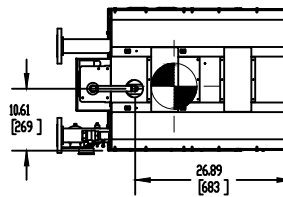
TOP VIEW



LEFT SIDE VIEW

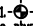


FRONT VIEW



BOTTOM VIEW

NOTES:

1.  SYMBOL INDICATES CENTER OF GRAVITY.
2. DIMENSIONS ARE NOMINAL AND SUBJECT TO MANUFACTURING VARIATION AND SHOULD NOT BE USED FOR 'ROUGHING IN'.
3. ALL DIMENSIONS ARE INCHES (mm).